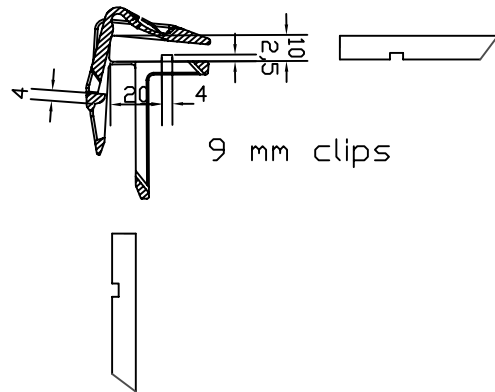
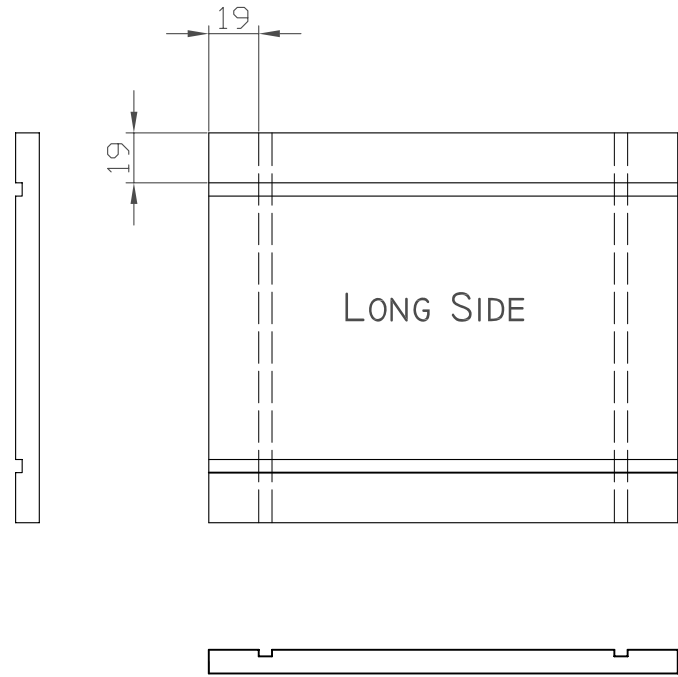
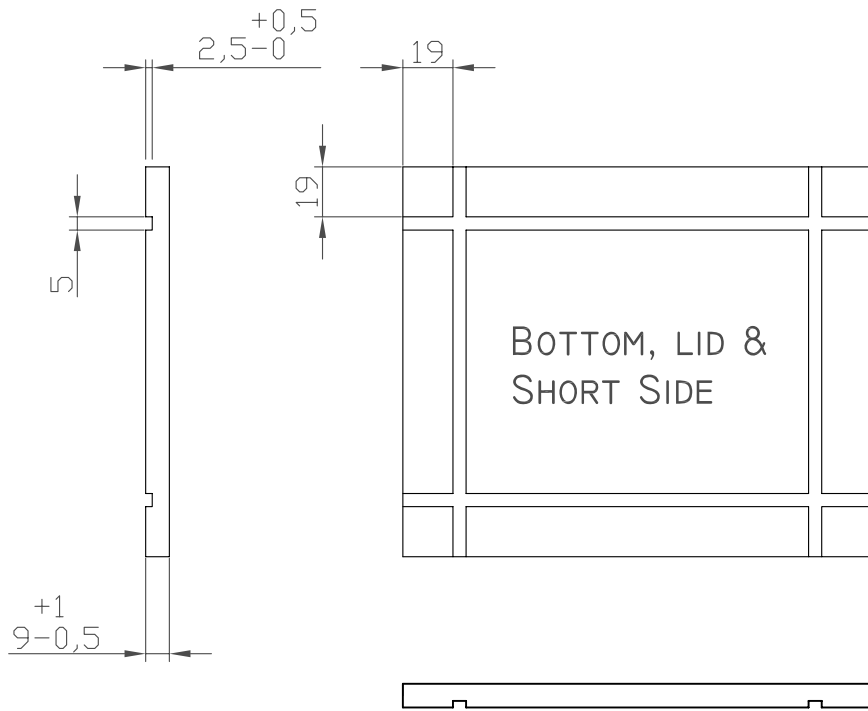


Part No.	Quantity	Sheet No.	Gross n3	Material	Notes
1	-	-	-	-	-
2	-	-	-	-	-



SE-AXXX
HT KD DB

Change	Zone	Nature of change	Designed	Date
-	-	-	-	-
-	-	-	-	-
-	-	-	-	-

Unless otherwise stated the following applies:		Description box 9 mm		Designed M. Wincent +46 70 663 04 61		Date 2007-12-29	
Basic size	Tolerance	Description Tolerance 9 mm +1/-0,5		Checked	Approved	Sign	Proj.method
(6) - 50	±1			-	-	-	
(50) - 100	±1,5						
(100) - 200	±2						
(200) - 1000	±2,5						
(1000) -	±3						
Material		Client		Scale		Win Innovation	
-		-		-		Art. No. 2007-006	
Surface treatment		HTKDDB ISPM 15		© Win Innovation AB +46 8 552 453 84		CAD	
Health treatment						Issue Category Sheet	
						- - -	